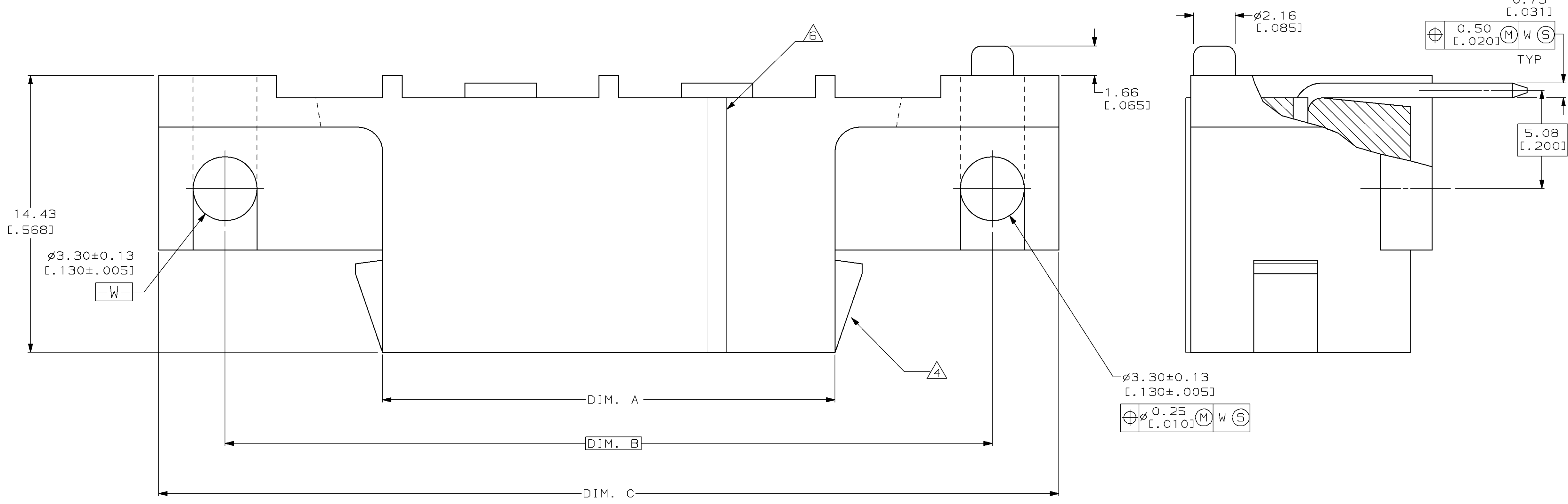
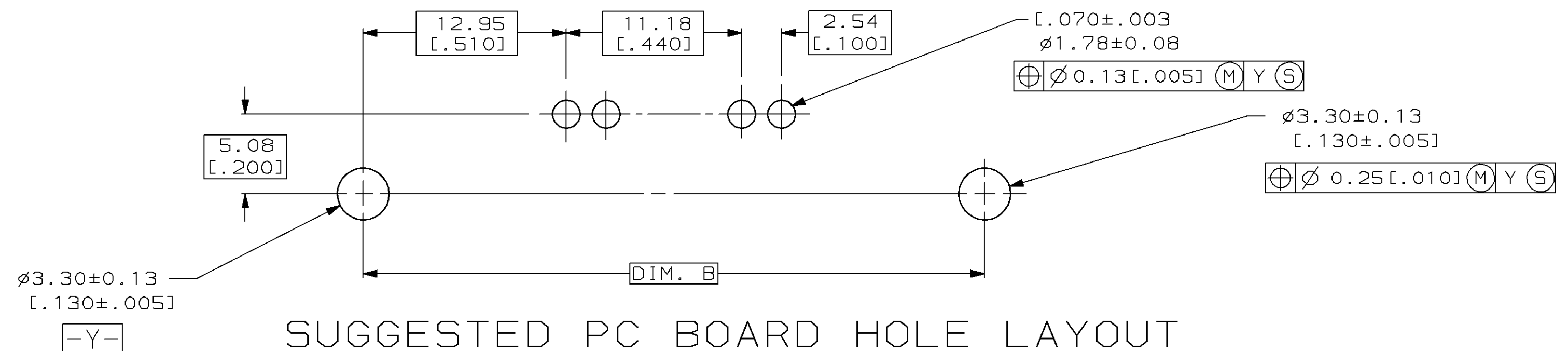
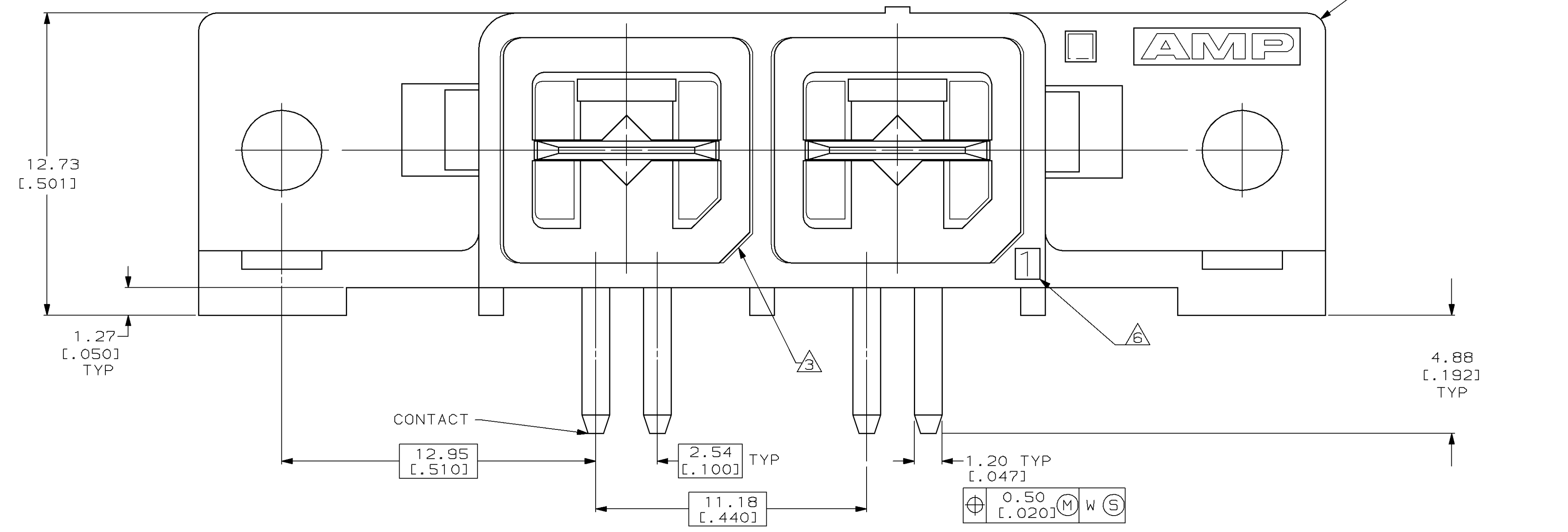


| LOC | | DIST | | REVISIONS | | | |
|-----|----|------|-------------------|-----------|-----|------|--|
| FT | 60 | REV | DESCRIPTION | DATE | OWN | APVD | |
| C | | REV | EC 0502-0410-96 | 30 JAN 97 | DS | DK | |
| D | | REV | PER EC 0320-68-97 | 06 MAR 97 | MB | MM | |



- 1 MATERIAL: HOUSING-POLYPHTHALAMINE, BLACK, 94V-0.
CONTACT- 2.54 μm [.000100] MINIMUM TIN PLATED COPPER.
- 2 ALL DIMENSIONS ARE MAXIMUM UNLESS OTHERWISE SPECIFIED.
- 3 POLARIZATION FEATURE TO MATING HOUSING.
- 4 POSITIVE LATCHING OF RECEPTACLE ASSEMBLY TO PLUG HOUSING.
- 5 THESE ASSEMBLIES ARE UL RECOGNIZED AND CSA CERTIFIED.
- 6 POSITION 1 INDICATOR.



| POSITION | DIM. C | DIM. B | DIM. A | PART NO |
|----------|----------------|----------------|---------------|----------|
| 8 | 113.67 [4.475] | 106.68 [4.200] | 90.56 [3.565] | 556882-8 |
| 7 | 102.49 [4.035] | 95.50 [3.760] | 79.38 [3.125] | -7 |
| 6 | 91.32 [3.595] | 84.33 [3.320] | 68.20 [2.685] | -6 |
| 5 | 80.14 [3.155] | 73.15 [2.880] | 57.03 [2.245] | -5 |
| 4 | 68.97 [2.715] | 61.98 [2.440] | 45.85 [1.805] | -4 |
| 3 | 57.79 [2.275] | 50.80 [2.000] | 34.68 [1.365] | -3 |
| 2 | 46.61 [1.835] | 39.62 [1.560] | 23.50 [.925] | 556882-2 |

| | | | | | | | |
|------------------------------|--|---|--|--|--|---|--|
| DIMENSIONS: (INCHES (mm)) | | TOLERANCES UNLESS OTHERWISE SPECIFIED: 0 PLC ± 1 PLC ± 2 PLC ± 3 PLC ± 4 PLC ± ANGLES ± | | DWG D. STRAUSSER 5-30-91 CHK B. FOX 9-23-91 APVD M. MILLER 9-28-91 NAME PRODUCT SPEC 108-1349 APPLICATION SPEC 114-6044 WEIGHT - CUSTOMER DRAWING | | AMP Incorporated Harrisburg, PA 17105-3508 RECEPTACLE ASSEMBLY, RIGHT ANGLE, WTB, AMPINNERGY™ SIZE A1 CAGE CODE 00779 DRAWING NO C-556882 SCALE 8:1 SHEET 1 OF 1 REV D | |
|------------------------------|--|---|--|--|--|---|--|